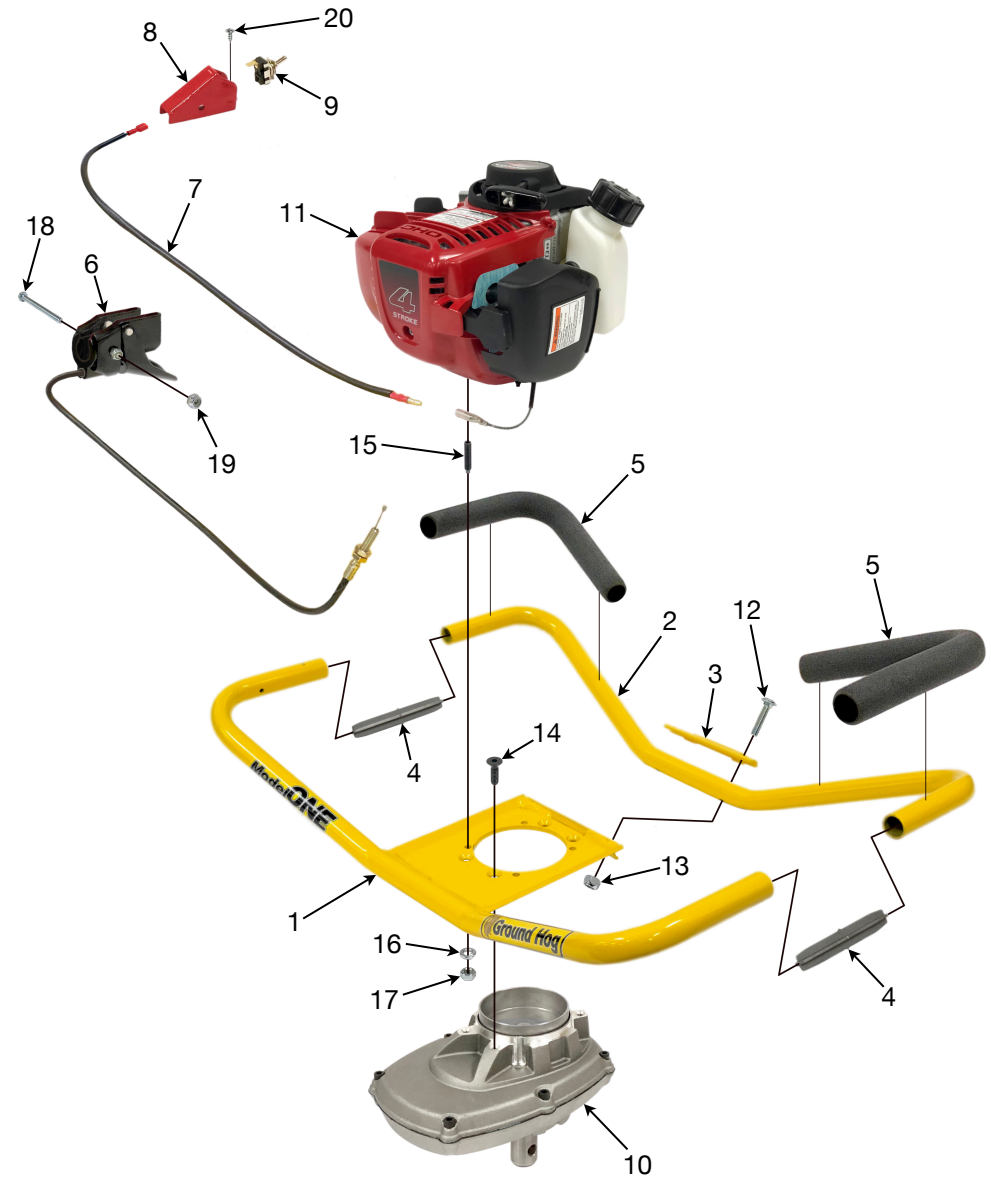


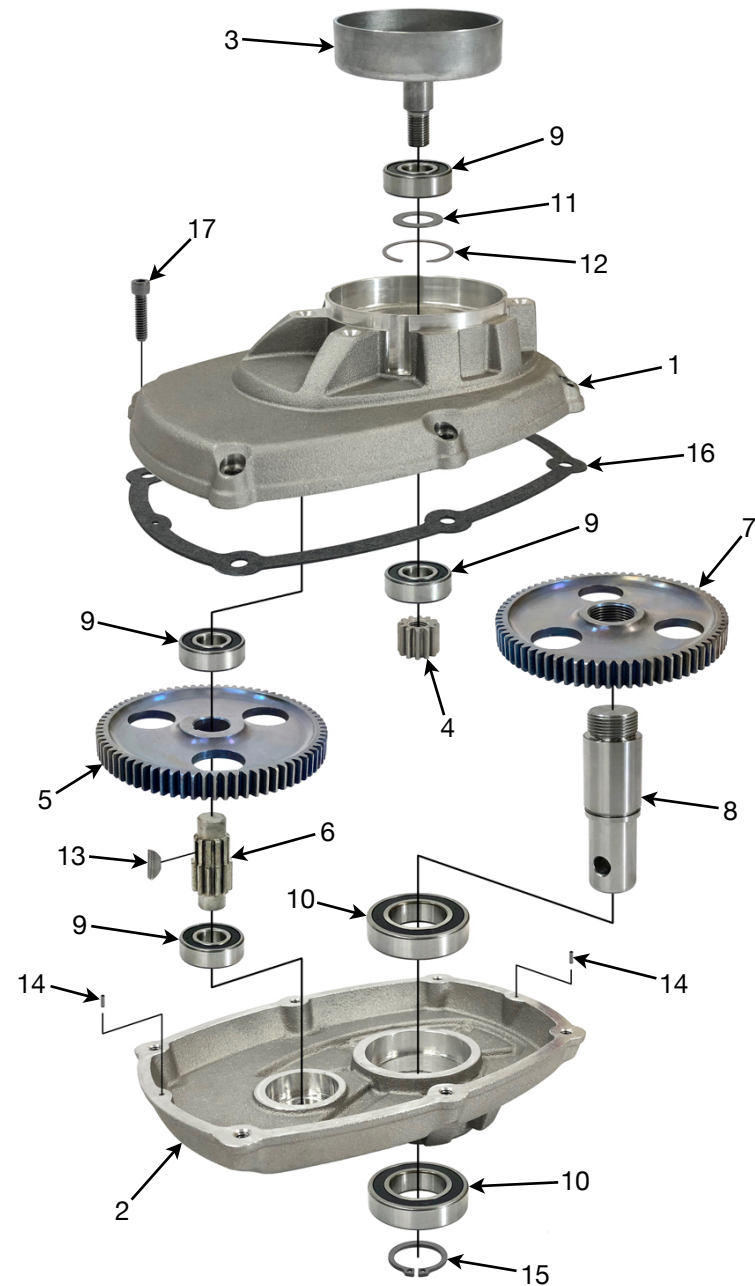
Ref. #	Part Number	Description	Qty. per Machine
1	M1-210	Handlebar, Front Half	1
2	M1-220	Handlebar, Rear Half	1
3	M1-230	Handlebar Clamp	1
4	M1-240	Handlebar Connector	2
5	M1-250	Grip Set (includes, left & right grips)	1
6	M1-TA	Throttle Assembly (lever, mount & cable)	1
7	SS-300	Stop Switch Wire	1
8	SS-200	Switch Housing	1
9	SS2	Stop Switch	1
10	M1-100	Transmission	1
11	GX35	Engine, Honda GX35, 35cc	1
12	(kit only)	Carriage Bolt, 5/16-18 x 1-1/2"	2
13	(kit only)	Nylock Nut, 5/16-18	2
14	(kit only)	Allen Screw, Countersunk, 1/4-20 x 1"	4
15	(kit only)	Stud, M6 x 30	4
16	(kit only)	Lockwasher, M6	4
17	(kit only)	Nut, M6	4
18	(kit only)	Screw, 10-24 x 2"	1
19	(kit only)	Nylock Nut, 10-24	1
20	(kit only)	Screw, #8 x 3/8"	1

Assemblies & Kits

Part Number	Description	Includes Ref. #s
M1-200	Handlebar Assembly (fully assembled)	1, 2, 3, 4 (x2), 5, 6, 7, 8, 9, 12 (x2), 13 (x2), 18, 19 & 20
M1-300	Hand Controls Assembly	6, 7, 8, 9, 18, 19 & 20
HK-M1-1	Hardware Kit, ModelONE	12 (x2), 13 (x2), 14 (x4), 15 (x4), 16 (x4), 17 (x4), 18, 19 & 20
HK-M1-2	Hardware Kit, M1 Engine	15 (x4), 16 (x4), 17 (x4)
DS-M1	Decal Set	N/A



Ref. #	Part Number	Description	Qty. per Machine
1	M1-110	Upper Gear Case	1
2	M1-120	Lower Gear Case	1
3	M1-130	Clutch Drum/Input Shaft	1
4	M1-140	Pinion Gear	1
5	M1-150	Counter Gear	1
6	M1-160	Counter Pinion Shaft (includes Key, Ref. #13)	1
7	M1-170	Output Gear	1
8	M1-180	Output Shaft	1
9	6202-2RS	Sealed Bearing, small	4
10	6006-2RS	Sealed Bearing, large	2
11	(kit only)	Shim	1
12	(kit only)	Spiral Ring	1
13	(kit only, or included with M1-160)	No. 3 Woodruff Key	1
14	(kit only)	Dowel Pin, 3/32" x 5/16"	2
15	5160-112	Snap Ring	1
16	M1-190	Gasket	1
17	(kit only)	1/4-20 x 1" Screw, Socket Head	6



Assemblies & Kits

Part Number	Description	Includes Ref. #s
M1-100	Complete Transmission	1-17 (fully assembled)
HK-M1-3	Hardware Kit, M1 Gear Case	17 (x6)
HK-M1-4	Misc. Parts Kit, M1 Transmission	11, 12, 13, 14 (x2), 15